

LEDRHYTHM

LED
PRECISE, HIGH-OUTPUT LIGHTING

Cloud I

GARDEN LIGHTING

20W,30W,40W,50W,60W,80W,100W

- Intelligent control
- Operating Temp : -30°C to + 45 °C
- 0-10V Dimming Optional
- Expected Life over 50,000 Hours
- Die Cast Aluminum

PROJECT

CATALOG #

TYPE



POWER

Available in 20W, 30W, 40W, 50W, 60W, 80W, 100W Configurations

PRECISION

High Chip Density for Increased Uniformity

ENGINEERING

Die Cast Aluminum

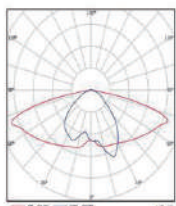
ORDERING INFORMATION

SERIES	WATTS	CCT	INPUT PWR	Protection	Housing Material	DIMMING	FIELDS APPLICATION
Cloud I	20W	3000K	120-277/	IP66	Die Cast Aluminum	0-10V Dimmable	Road Street Garden
	30W	4000K	277-480VAC				
	40W	5000K					
	50W	5700K					
	60W						
	80W						
	100W						

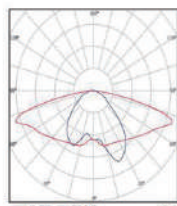
NOTES

- 70 CRI Standard
- Custom RAL Colors Require Additional Costs & Lead Times
- CM Mounting Standard

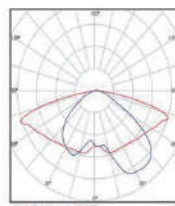
OPTICS



1M



2M



3M

LUMEN CHART

	3000K	4000K	5000K	5700K
20W	2200lm	2400lm	2400lm	2400lm
30W	3300lm	3600lm	3600lm	3600lm
40W	4400lm	4800lm	4800lm	4800lm
50W	5500lm	6000lm	6000lm	6000lm
60W	6600lm	7200lm	7200lm	7200lm
80W	8800lm	9600lm	9600lm	9600lm
100W	11000lm	12000lm	12000lm	12000lm

Due to continuous improvement and innovation, product appearance and specifications may change without notice. Actual performance may differ as a result of end-user environment and application.

Cloud I

GARDEN LIGHTING

SPECIFICATIONS

Expected Life | Over 50,000 hrs.
Rating | IP66
Color Rendering Index (CRI) | >70
Operating Temp | -30°C – +45°C
Relative Humidity | 0-90% RH
Power Factor | ≥95%
Input Voltage | 120-277/277-480VAC
Input Frequency | 50/60 Hz
DIMMING | 0-10V Optional
LED Efficiency
- 3000K, 110 lm/w
- 4000K, 120 lm/w
- 5000K, 120 lm/w
- 5700K, 120 lm/w
Surge Protector | 10kV

WARRANTIES

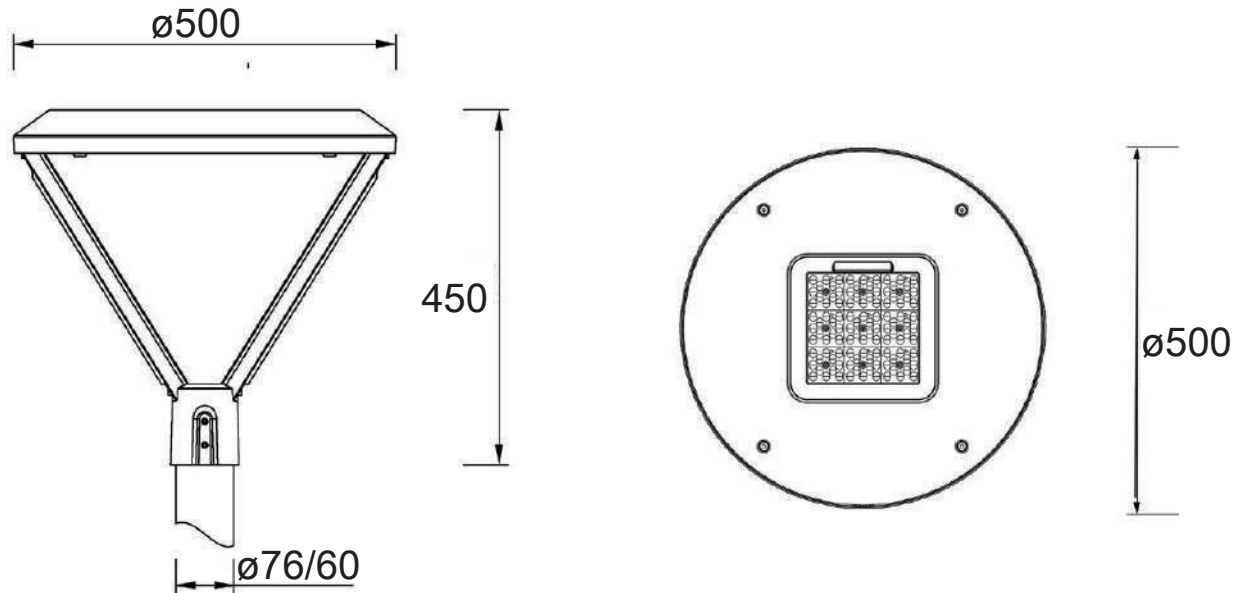
SEE WEBSITE FOR DETAILS

Housing | 5-Year
LED | 5-Year
Driver | 5-Year

MATERIALS

Housing | Die Cast Aluminum
A380 Alloy ADC12
Gasketing | Neoprene Rubber
Hardware | 18-8 Stainless Steel
Finish | Protective UV Stabilized Powdercoat
4000 Hour Salt Spray Tested to ASTM B117
Lens | PC

PRODUCT DRAWINGS



Due to continuous improvement and innovation, product appearance and specifications may change without notice. Actual performance may differ as a result of end-user environment and application.