

LEDRHYTHM

LED
PRECISE, HIGH-OUTPUT LIGHTING

Diamond II-Pro

INDUSTRIAL LIGHTING

100W, 120W, 150W, 200W

- Intelligent control
- Operating Temp : -30°C to + 70 °C
- Expected Life over 50,000 Hours
- Famous brand drivers and chips

PROJECT

CATALOG #

TYPE



POWER

Available in 100W, 120W, 150W, ConFigurations

PRECISION

High Chip Density for Increased Uniformity

ENGINEERING

Extruded aluminum Heatsink for Maximum Thermal Management

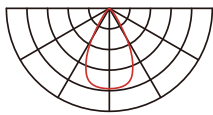
Specification

ITEM	POWER	CCT	OPTICS	INPUT PWR	IP RATING	Housing Material	FIELDS APPLICATION
Diamond II-Pro	100W	3000K	60°	120-277V	IP66	ADC 12	Warehouse Retail areas Production and assembly halls High temperature place Tempering plant Rubber plant
	120W	4000K	90°	277-480 VAC			
	150W	5000K	120°				
	200W	5700K					

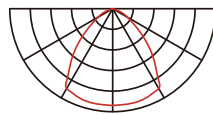
NOTES

- 70 CRI Standard
- Custom RAL Colors Require Additional Costs & Lead Times
- CM Mounting Standard

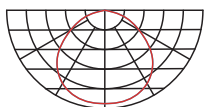
OPTICS



60°



90°



120°

LUMEN OUTPUT

	3000K	4000K	5000K	5700K
100W	13000lm	14000lm	14000lm	14000lm
120W	15600lm	16800lm	16800lm	16800lm
150W	19500lm	21000lm	21000lm	21000lm
200W	26000lm	28000lm	30000lm	28000lm

Due to continuous improvement and innovation, product appearance and specifications may change without notice. Actual performance may differ as a result of end-user environment and application.

Dimond II-Pro

INDUSTRIAL LIGHTING

SPECIFICATIONS

Expected Life | Over 50,000 hrs.
IP Rating | IP66
Color Rendering Index (CRI) | >80
Operating Temp | -30°C – +70°C
Relative Humidity | 0-90% RH
Power Factor | ≥97%
Input Volt | 120-277/277-480 VAC
Frequency | 50/60 Hz
LED Chips | OSRAM
LED Efficiency
- 3000K, 130 lm/w
- 4000K, 140 lm/w
- 5000K, 150 lm/w
- 5700K, 140 lm/w
SurgeProtection | 10kV

WARRANTY

SEE WEBSITE FOR DETAILS

Housing | 5-Year
LED | 5-Year
Driver | 5-Year

MATERIALS

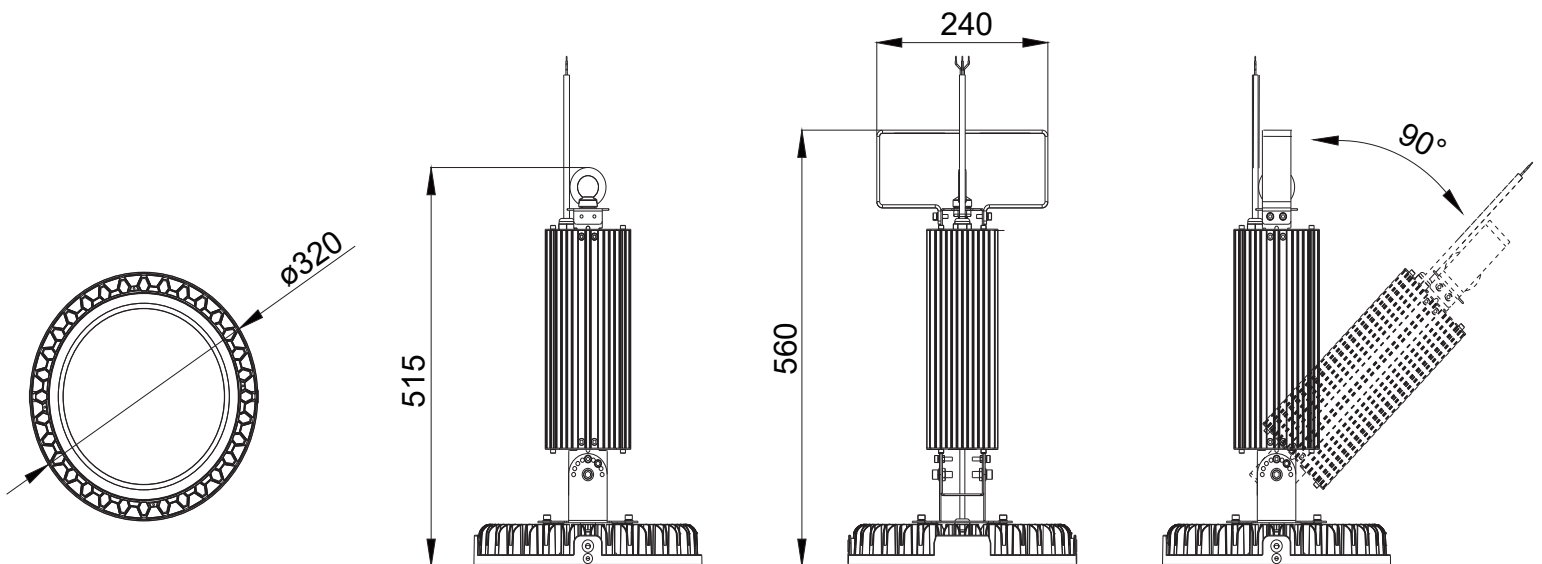
Housing | Die Cast Aluminum

ADC12

Finish | Protective UV Stabilized Powdercoat
4000 Hour Salt Spray Tested to ASTM B117

Lens | PC.4mm Thick

DIAMENSIONS



Due to continuous improvement and innovation, product appearance and specifications may change without notice. Actual performance may differ as a result of end-user environment and application.

Telephone : 0512-65013932 | © 2021 LEDRHYTHM

www.ledrhythm.com